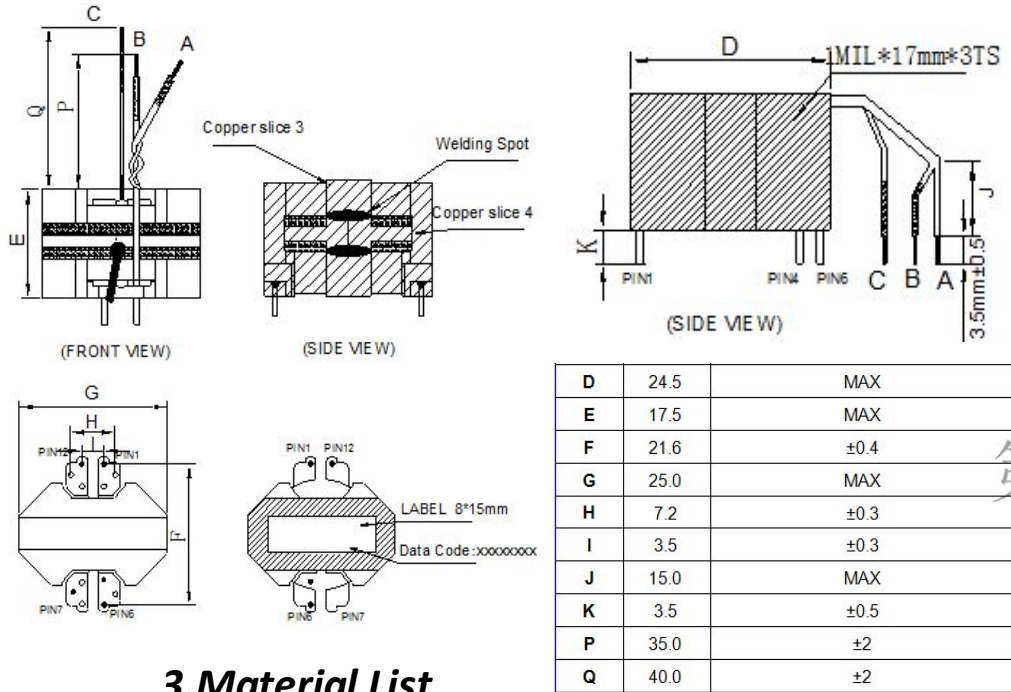
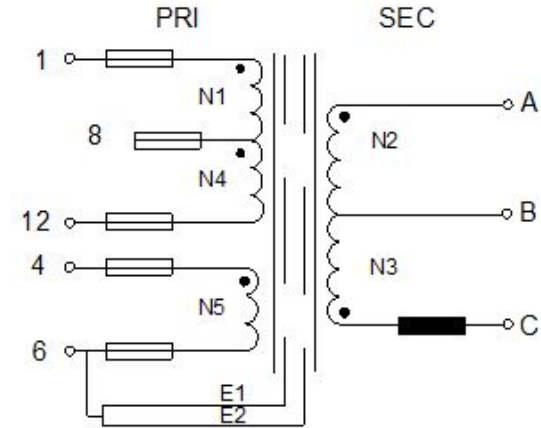


| | | |
|-------------------|------|---------------|
| CUSTOMER TERMINAL | ROHS | Lead(Pb)-free |
| | YES | YES |

1.Mechanical Dimensions



2.Schematic Diagram



3.Material List

Core:FW44 RM8
 Bobbin:FWB0804(6+6PIN)
 Wire:2UEW TIW
 Copper foil:0.025t*5.0mm
 Operating Temperature: -30 to115 °C

4.Electrical Specification

Inductance : L(1-12):1000uH±5% 100KHZ, 1.0V
 Leakage inductance: 20uH MAX 100KHZ, 1.0V
 DCR : (12-1)=1.0Ω MAX
 Hi-Pot:P-S: AC 60Hz 4000V 1mA 3S
 S-CORE:AC 60Hz 4000V 1mA 3S

| | | | | | | | |
|------|-------|--------------------------|------|----------------|----------|--------------------|---------------------------|
| REV. | DATE | Convention Placement | DRW. | Drawing Title: | Part No: | | |
| 0 | 00/00 | | CHK. | | | TRANSFORMER | FWPTRM8V102J |
| | | | APP. | | | Customer P/N | Specification Sheet 1of 1 |

ROHS

www.ferriwo.com